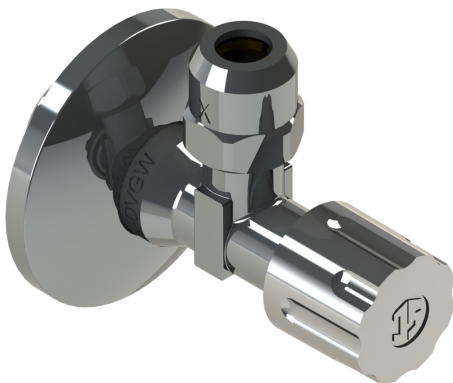


Technical Data Sheet

Description: Angle-valves, DVGW approved, without self-sealing connection thread, brass chrome-plated with extension, push-rosette and pull-resistant brass cone compression connecting with length compensator
Test-mark PA681 / IA – Noise-class No. 1

Ref. No.: 00 7105 DN50 001



Technical Data

Mediums: to be used for potable water and other neutral liquids

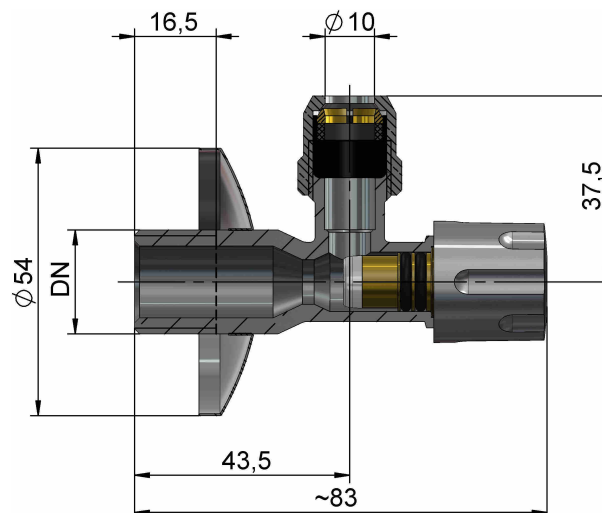
Temperature: max. 90°C

Operating pressure: max. 10 bar (PN 10)

Thread: ISO 228 part 1 (G-thread)

Surface: chrome-plated

Materials: housing: brass
housing cover: brass
conical seal: POM
housing cover seal: EPDM



Dimensions

DN	DIM
10	3/8"
15	1/2"

Stand: February 2016
Subject to technical change